

**TAMPA-HILLSBOROUGH COUNTY
EXPRESSWAY AUTHORITY**

ADDENDUM NO. 2

FOR

INVITATION TO BID (ITB)

**CONSTRUCTION SERVICES
INSTALL FIBER OPTIC CABLE TO DMS**

ITB No. O-01919

ADDENDUM NO. 2

PROJECT NAME: **Installation of Fiber Optic Cable to DMS**

DATE OF ADDENDUM: **11/20/19**

TO ALL PROSPECTIVE FIRMS:

PLEASE SEE ATTACHED AS-BUILT SHEETS PERTAINING TO FIBER ALLOCATIONS ON THE THEA REL.

Firms MUST acknowledge receipt of this Addendum by signing, dating and returning the completed Acknowledgement of Receipt of Addendum form **with the Firm's proposal**.

All other items, conditions, and specifications in the ITB document not specifically changed by the Addendum remain unchanged.

Firms failing to acknowledge the addendum issued may be deemed non-responsive to the ITB. Please send all questions to THEA's Procurement Manager, Man Le, via email at Man.Le@tampa-xway.com.

ACKNOWLEDGEMENT OF RECEIPT OF ADDENDUM and/or LETTER OF CLARIFICATION

Were Addenda issued on this Solicitation?

Yes

No

Were Letter of Clarification issued on this Solicitation?

Yes

No

I (We) hereby acknowledge receipt of the following Addendum/Addenda issued in reference to this solicitation by listing the Addenda by number, date and signing the form:

Addendum _____ Date: _____

Addendum _____ Date: _____

Addendum _____ Date: _____

Letter of Clarification _____ Date: _____

Letter of Clarification _____ Date: _____

Letter of Clarification _____ Date: _____

BIDDER:

By: _____

Authorized Signature

Printed Name of Signer

Title of Signer

Date Signed

[END OF ACKNOWLEDGMENT OF RECEIPT FORM]

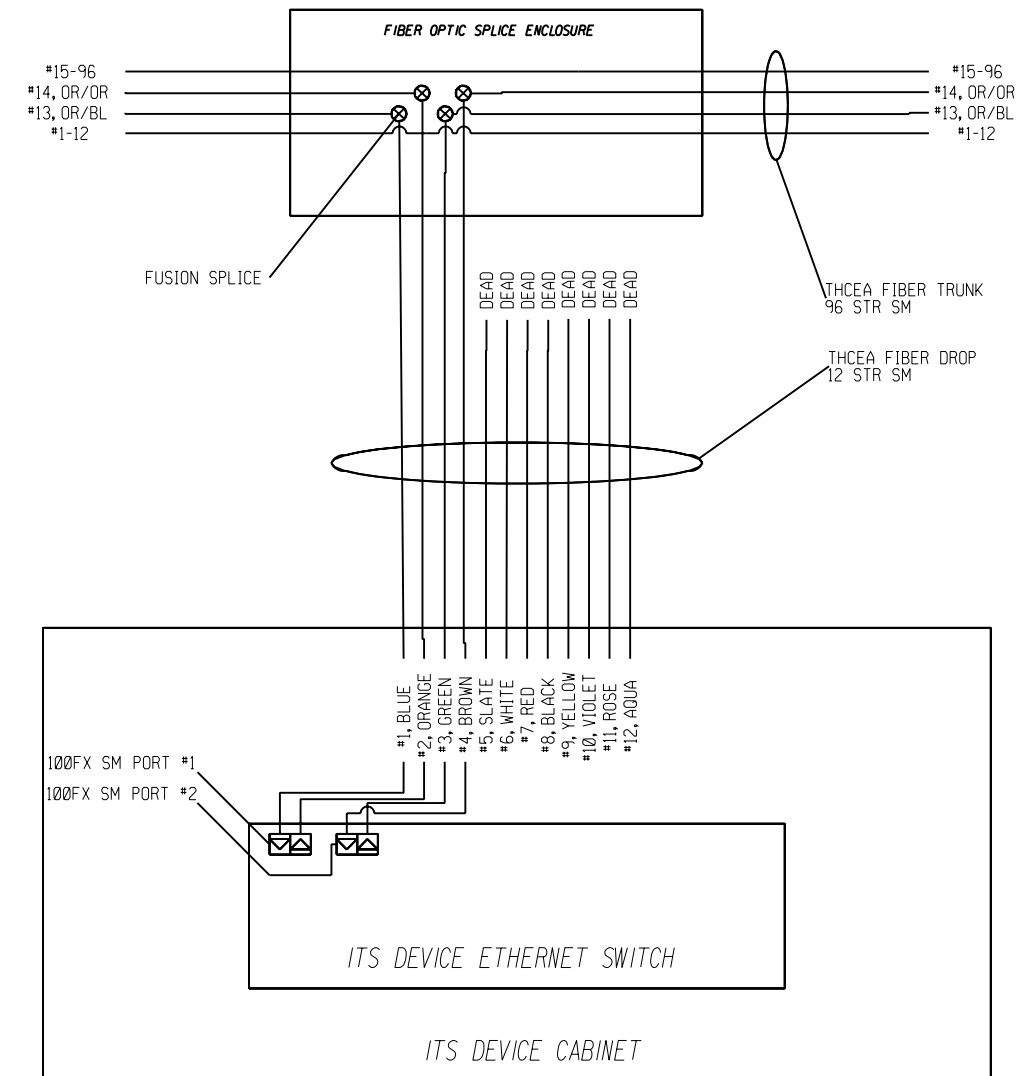
FIBER OPTIC DROP ALLOCATION TABLE
FOR A.C.N. CABINETS

# OF FIBERS	ALLOCATED USE
1-4	GIGABIT ETHERNET
5-8	FIELD DEVICE CIRCUITS 100FX ETHERNET
9-12	FUTURE

FIBER OPTIC DROP ALLOCATION TABLE
FOR ITS DEVICE LOCATIONS

# OF FIBERS	ALLOCATED USE
1-4	FIELD DEVICE CIRCUITS 100FX ETHERNET
5-8	FUTURE
9-12	FUTURE

TYPICAL FIBER SPLICE - COMMUNICATION CABINET



REVISIONS					
DATE	BY	DESCRIPTION	DATE	BY	DESCRIPTION

HNTB ARCHITECTS ENGINEERS PLANNERS
The HNTB COMPANIES

510 EISENHOWER BLVD., SUITE 220 TAMPA, FL 33634
(813) 894-7339 CERTIFICATE OF AUTHORIZATION NO. EB6185
ENGINEER OF RECORD: GORDON D. ZIECINA, P.E. NO: 33770

**TAMPA-HILLSBOROUGH
EXPRESSWAY AUTHORITY**

ROAD NO.	COUNTY	FINANCIAL PROJECT ID
S.R. 618	HILLSBOROUGH	53.41.01

**TYPICAL DETAILS
DROP FIBER ALLOCATION
AND ITS DEVICE SPLICE**

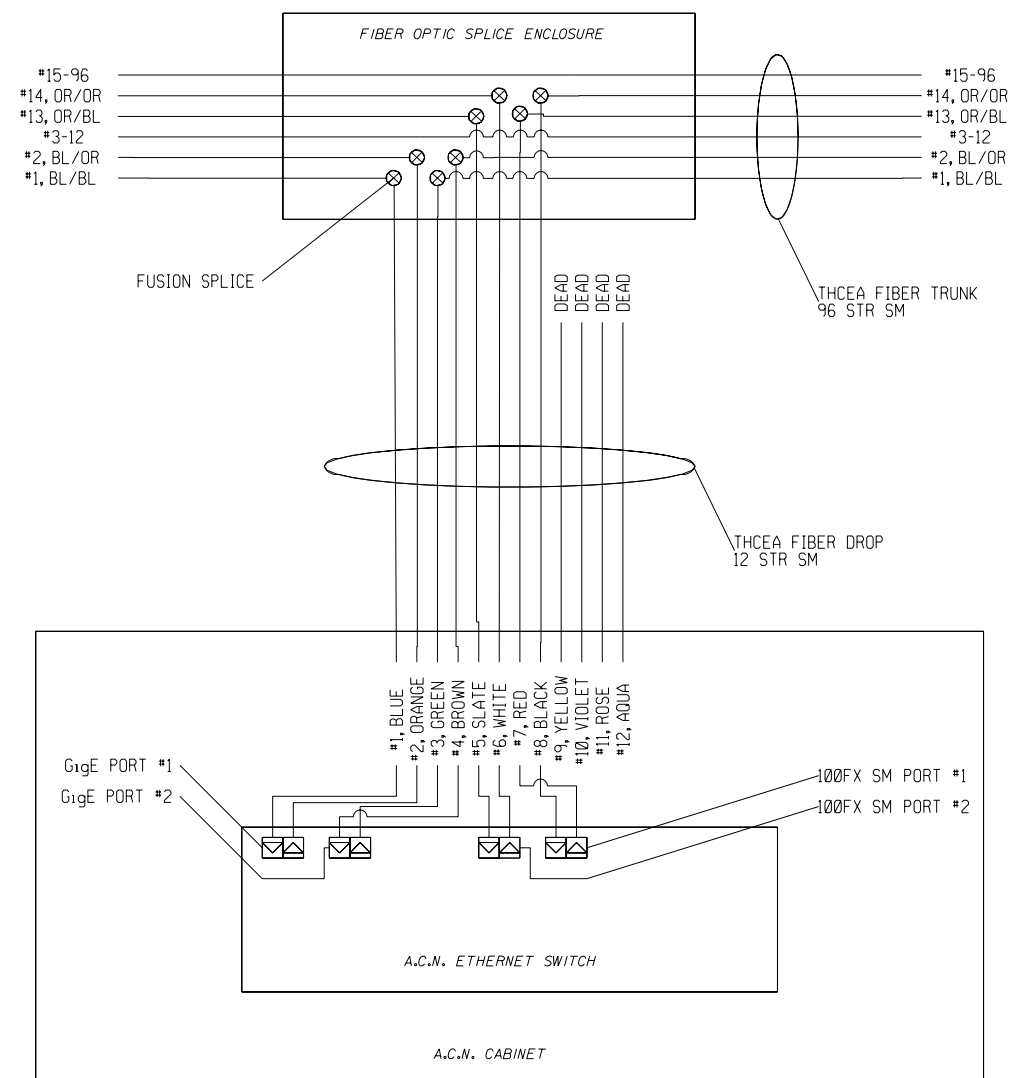
SHEET NO.

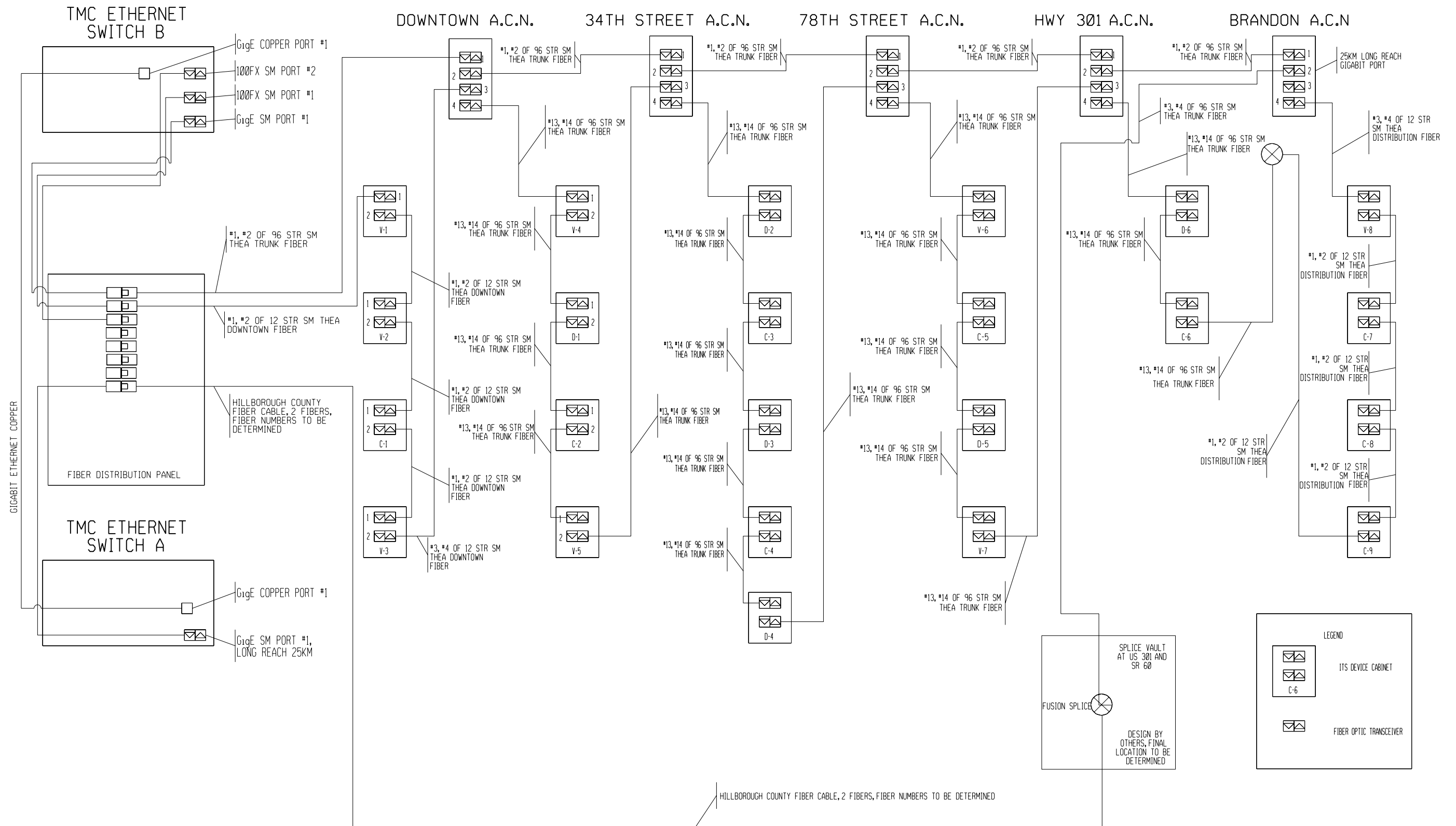
D-10

FIBER OPTIC TRUNK ALLOCATION TABLE

LOOSE TUBE/ # OF FIBERS	ALLOCATED USE
BLUE 1-12	GIGABIT ETHERNET
ORANGE 13-24	FIELD DEVICE CIRCUITS 100FX ETHERNET
GREEN 25-36	FUTURE
BROWN 37-48	FUTURE
SLATE 49-60	FUTURE
WHITE 61-72	FUTURE
RED 73-84	FUTURE
BLACK 85-96	FUTURE

TYPICAL FIBER SPLICE - A.C.N. CABINET





REVISIONS					
DATE	BY	DESCRIPTION	DATE	BY	DESCRIPTION

HNTB ARCHITECTS ENGINEERS PLANNERS
The HNTB COMPANIES

510 EISENHOWER BLVD., SUITE 220 TAMPA, FL 33634
(813) 894-7339 CERTIFICATE OF AUTHORIZATION NO. EB6185
ENGINEER OF RECORD: GORDON D. ZIECINA, P.E. NO: 33770

**TAMPA-HILLSBOROUGH
EXPRESSWAY AUTHORITY**

ROAD NO.	COUNTY	FINANCIAL PROJECT ID
S.R. 618	HILLSBOROUGH	53.41.01

**TYPICAL DETAILS
FIBER OPTIC
NETWORK SCHEMATIC**

SHEET NO.

D-12