

STA. 103+36.0, 8.2' LT.
 1-12"x8" MJ TEE
 1-8" 22½° BEND
 2-8" 45° BENDS
 1-8" SOLID SLEEVE
 SEE DETAIL-1 ON THIS SHEET

**DRAWING ACCURACY
 WAS NOT VERIFIED.
 FIELD VERIFY LOCATIONS
 AND DEPTHS.**

TWIGGS STREET

EXISTING 12" CIP WATER MAIN (PLACED OUT OF SERVICE AND GROUTED)

30" ISOLATION VALVE, SWC OF CROSSTOWN EXPRESSWAY AND N 12TH STREET (SEE WATER MAIN ATLAS I-13)
 EXISTING 30" DIP WATER MAIN (TO REMAIN IN SERVICE)

NOTES:

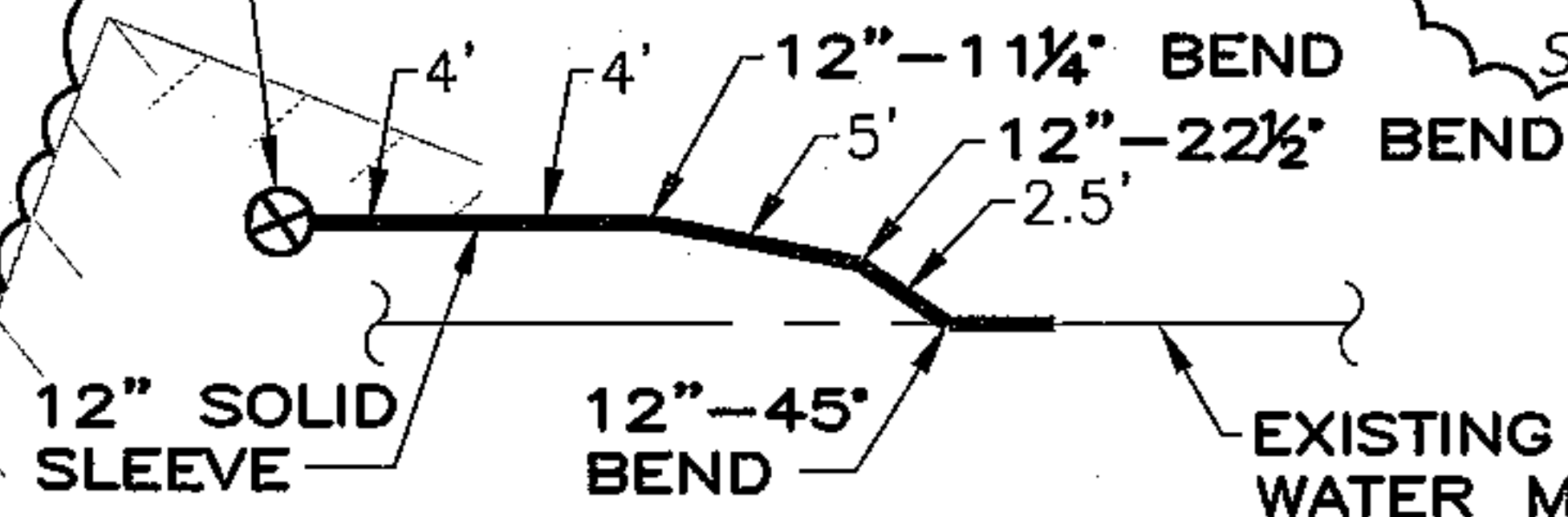
1. LEAVE INDICATED VALVE IN OPEN POSITION FOR GROUTING.
2. VALVE SHOWN IN RECORD DRAWINGS, BUT NOT LOCATED IN FIELD.

LEE ROY SELMON EXPRESSWAY (S.R. 618)

LEE ROY SELMON EXPRESSWAY (S.R. 618)

STA. 103+46.0, 11.0' LT.
 1-12" GATE VALVE W/BOX (TON 16.28)

STA 103+46
 12" GATE VALVE



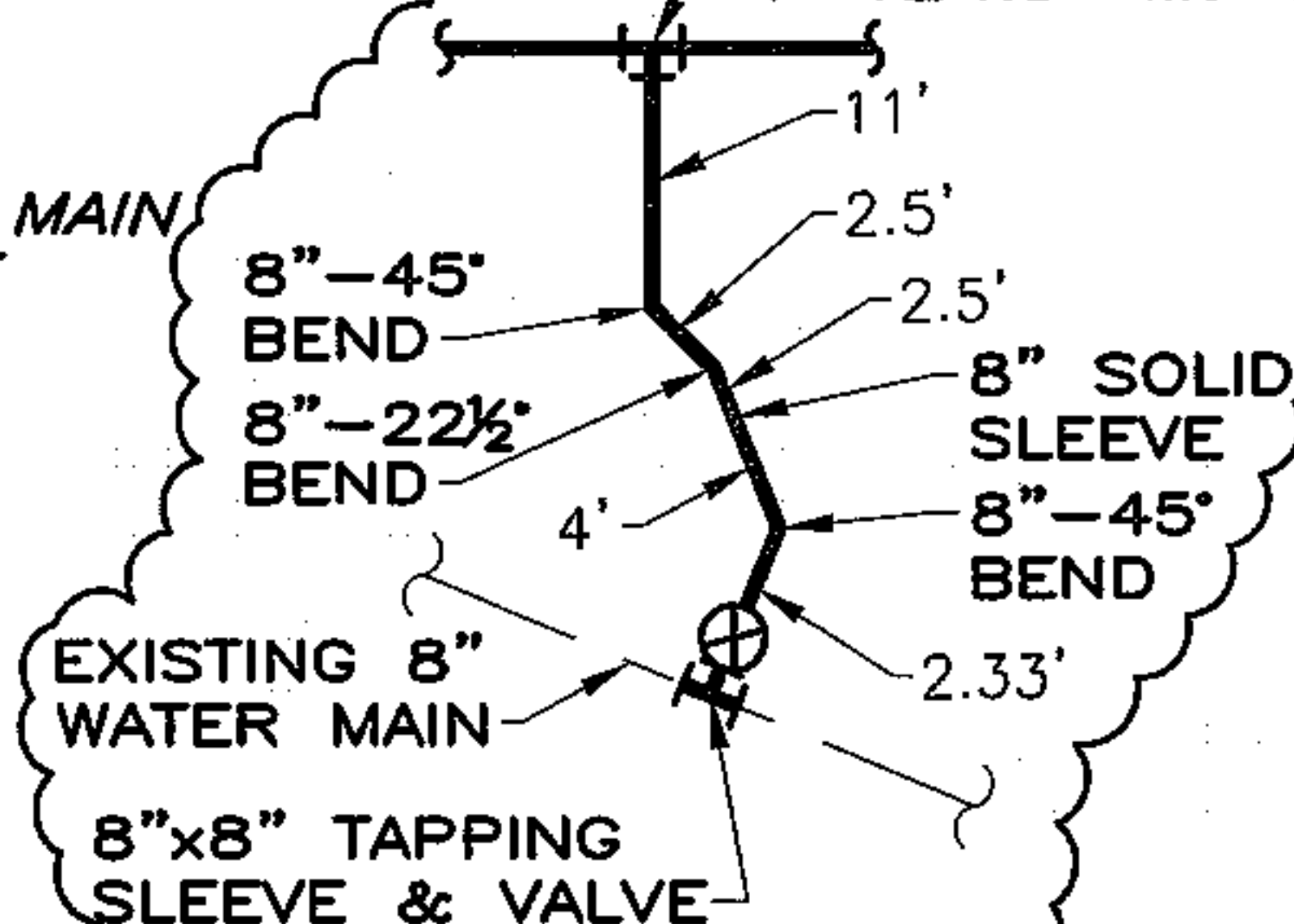
DETAIL-2

N.T.S.

STA. 103+65.0, 13.0±' LT.
 REMOVE EXISTING 12" FITTING(S) OR CUT PIPE AND
 1-12" 22½° BEND
 1-12" SOLID SLEEVE
 1-12" 11¼° BEND
 1-12" 45° BEND
 CONNECT TO EXISTING WATER MAIN
 SEE DETAIL-2 ON THIS SHEET

SEC. 19-T29S-R18E

STA 103+36.0
 1-12"x8" MJ TEE



DETAIL-1

N.T.S.

RESTRAINED 8" MJ PLUG IN WEST RUN OF EXIST. 8" TEE

STA. 103+34.0, 11.3±' RT.
 1-8"x8" TAPPING SLEEVE
 1-8" TAPPING VALVE W/BOX (TON 15.30)
 22 LF OF 8" DIP WATER MAIN CONNECTED TO EXIST. WATER MAIN

CUT AND CAP FOR GROUTING

MATCHLINE STA. 103+00.0 SEE SHT 90 FOR CONTINUATION

2" GAS MAIN

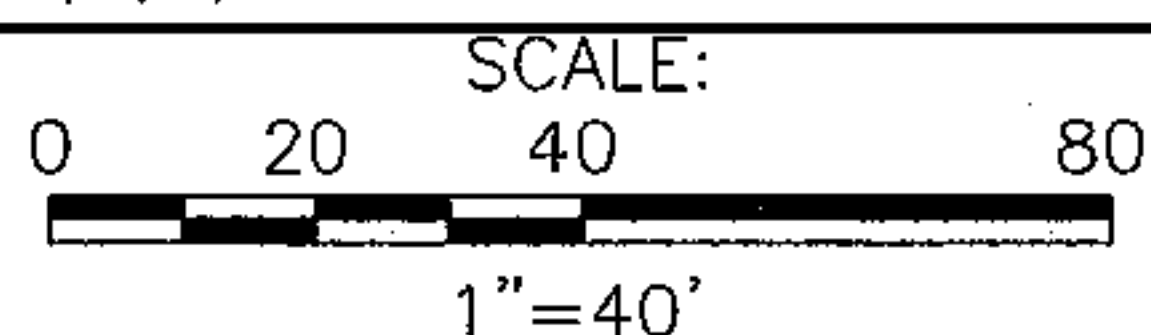
MAXWELL STREET

MERIDIAN AVENUE (S.R. 618)

PLAN

RECORD DRAWING LEGEND

- ✓ SIGNIFIES COMPLETION AS DESIGNED
- AS-BUILT INFORMATION (TEXT NOT SLANTED)
- PIPE PLACED OUT OF SERVICE



DESIGNED NAM, ML
 DRAWN GAG
 CHECKED TYW

NO.	DATE	APPD	REVISION
07/11	TYW		RECORD DRAWING REVISION
P.E. NAME: THOMAS Y. WILSON		P.E. NO. 40284	
P.E. NAME:		DATE:	

RECORD DRAWING

THIS RECORD DRAWING IS NOT WARRANTED BUT IS BELIEVED TO REPRESENT CONDITIONS UPON COMPLETION OF CONSTRUCTION WITHIN REASONABLE TOLERANCES, BASED UPON THE INFORMATION FURNISHED TO THE ENGINEER FROM THE CONTRACTOR PERTAINING TO CHANGES MADE DURING CONSTRUCTION. STRIKE THROUGHS OF THE ORIGINAL DESIGN/CALL-OUTS WERE NOT USED. SEE RECORD DRAWING LEGEND ON THIS SHEET.

CITY OF TAMPA WATER DEPARTMENT
 2008 WATER MAIN IMPROVEMENTS - DOWNTOWN PHASE C

PLAN
 TWIGGS STREET

STA. 103+00.0 TO STA. 103+65.0



W.O. NO. 7042

FILE: DTCTESH04E

NO. 92 OF 134

DATE JULY 2011

FC84-454